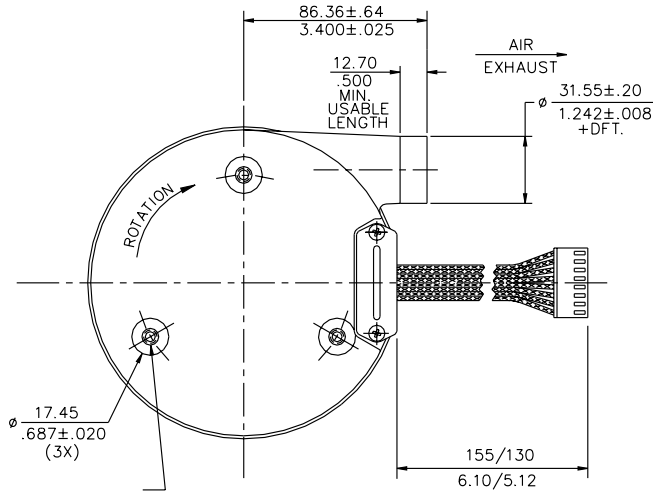


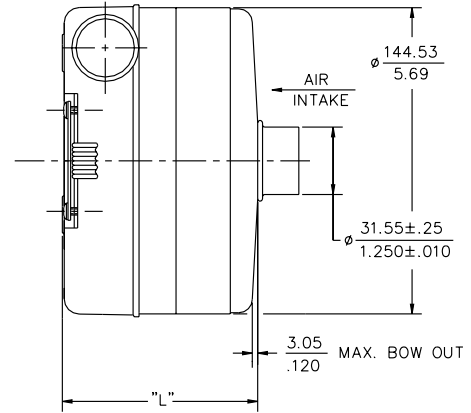
Tech Bulletin

5.7" (145mm) BLDC Low-Voltage Blower

24 VDC



(3) 1/4-20 UNC-2B THREADS,
9.53±.51/.375±.020 DEEP,
Ø7.62±.38/Ø.300±.015 X 81°±1°
C'SINK, EQUALLY SPACED AS
SHOWN ON Ø A 101.6Ø B.C.



MILLIMETER
INCH

Blower Data	Unit of Measure	Part Numbers		
		116521*	116522	116450*
Voltage Input	VDC	24	24	24
Stages		1	2	3
Vacuum, Max. (Sealed Vacuum)	in. H ₂ O mBar	6 15	20 50	24 60
Pressure, Max. (Sealed Pressure)	in. H ₂ O, sealed mBar	8.2 20	22 55	26 64
Flow Rate, Max. (Open Flow)	CFM L/sec	39 18	35 17	38 18
Length Dimension "L"	inches mm	2.65 67.31	3.66 92.96	4.56 115.82

Typical Performance Points

Air Flow	Pressure		
	in. H ₂ O	in. H ₂ O	in. H ₂ O
0 CFM	8.2	22.0	26.0
5 CFM	8.0	18.1	23.0
10 CFM	7.6	15.5	22.0
15 CFM	7.2	12.8	20.5
20 CFM	6.3	10.0	17.5
25 CFM	5.0	6.3	13.0
30 CFM	3.3	4.0	8.5
35 CFM	1.7	0.10	3.0

*These part numbers are available through AMETEK Rotron distributors.

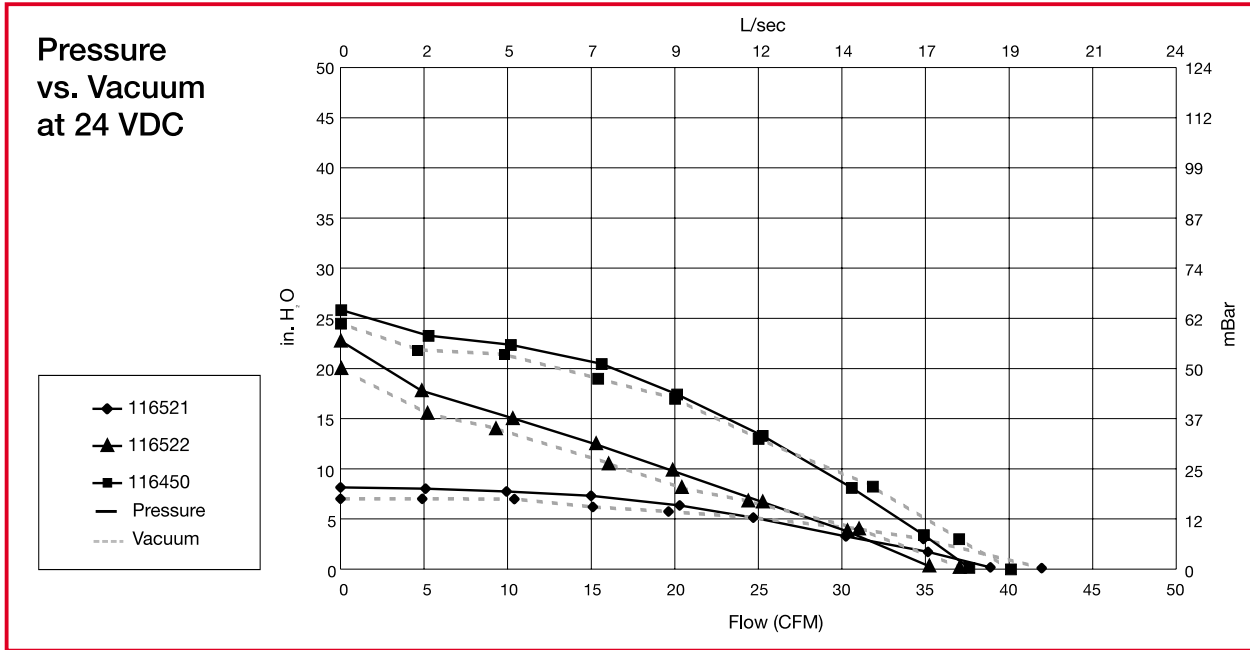
NOTES:

- **Input voltage:** This product requires a 3 phase electronic commutated input to operate. Refer to the controller section (page 84) of this catalog for proper controller selection. Input voltages listed in the chart above indicate the controller input voltage requirement.
- **Input current:** 6-10 Amps, Current is dependent on blower model.
- **Temperature:** Working Air: 0°C to 45°C, Ambient Air: 0°C to 45°C, Storage Air: -40°C to 85°C
- **Dielectric Testing:** 500 volts AC RMS 60Hz applied for one second between input pins and ground, one milliamp leakage max.
- **Speed Control:** Speed control is achieved at the blower controller. Refer to the controller section (pages 84) of this catalog for proper controller operation.
- **Maximum Approximate Weight:** 6 lbs.

5.7" (145mm) BLDC Low-Voltage Blower

24 VDC

LOW-VOLTAGE BLOWERS



This document is for informational purposes only and should not be considered as a binding description of the products or their performance in all applications. The performance data on this page depicts typical performance under controlled laboratory conditions, data is corrected to 0.075 lb./ft³ air density (29.92" Hg @ 70° F.). Actual performance will vary depending on the operating environment and application. AMETEK Rotron products are not designed for use with volatile, hazardous or corrosive gases. Blower housings are not sealed, slight air/gas leakage will occur. AMETEK Rotron products are not designed for and should not be used in medical life support applications. AMETEK reserves the right to revise its products without notification. The above characteristics represent standard products. For product designed to meet specific applications contact AMETEK Rotron Marketing and Sales.